









# SECTION 4 : WIRING CONNECTIONS

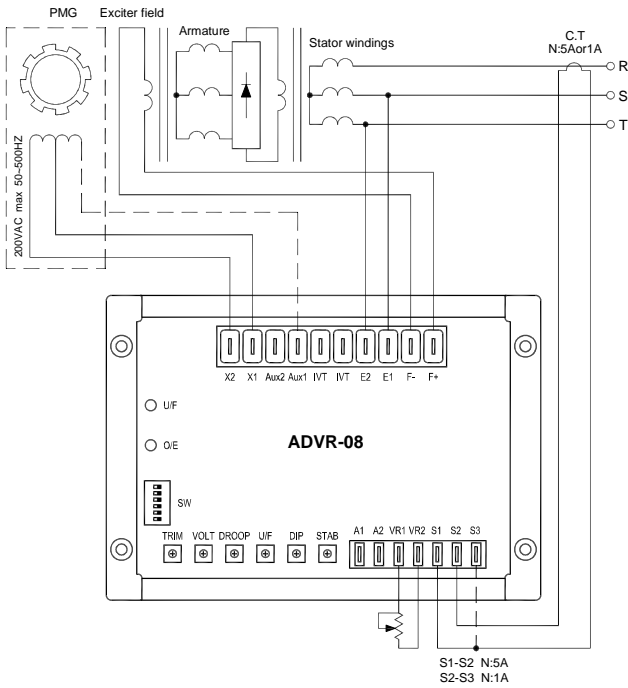


Figure 2 Single & Three Phase PMG

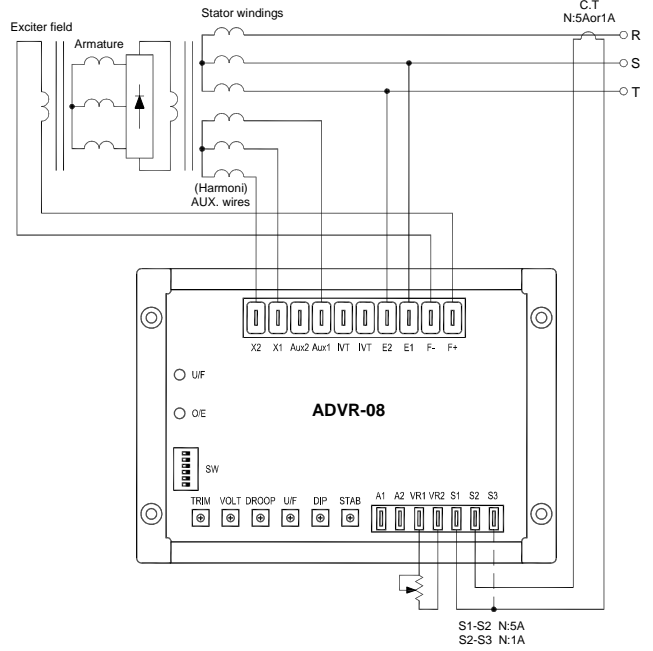


Figure 3 Three Phase Auxiliary Winding (Full Harmonic)

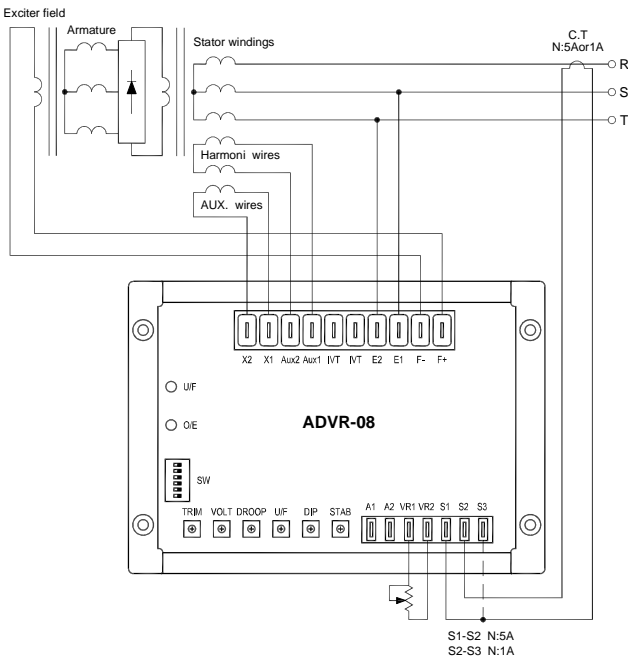


Figure 4 Auxiliary & Harmonic

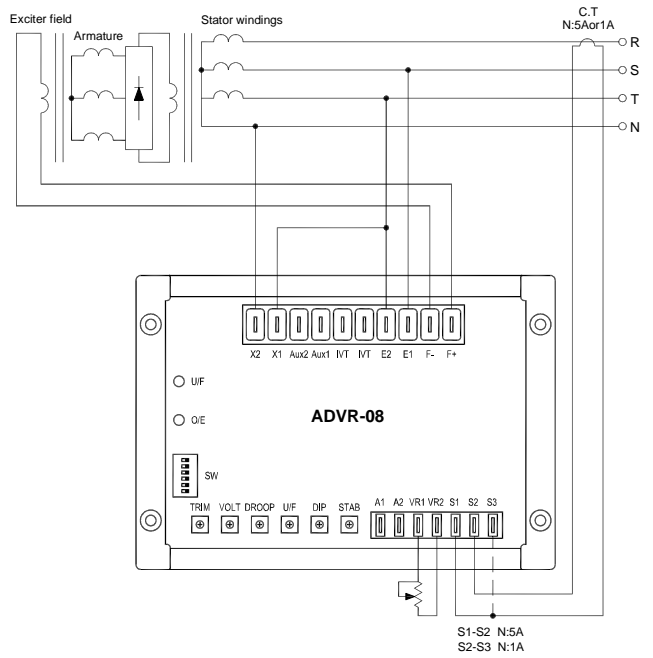


Figure 5 Self-Excited (SHUNT)

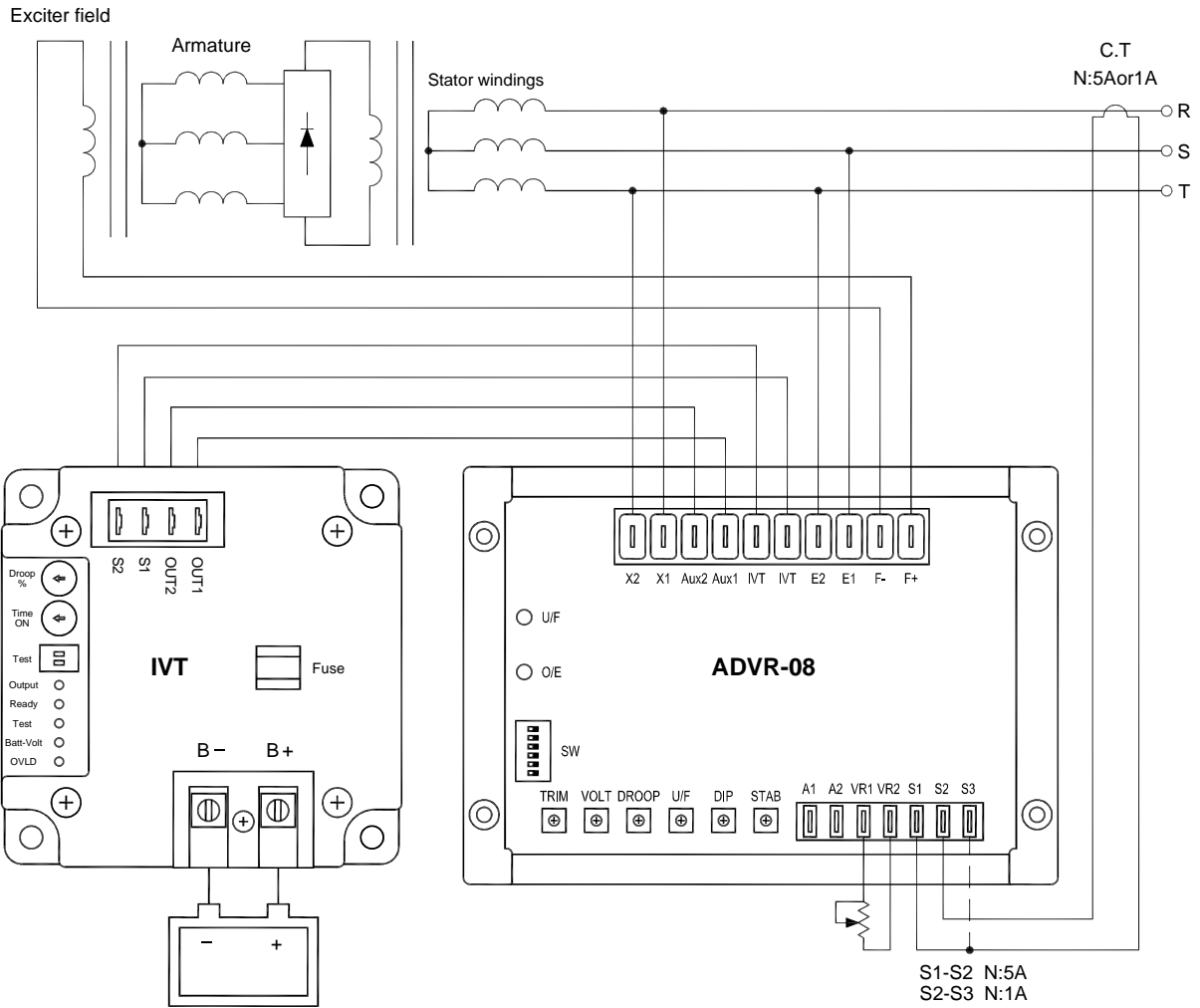


Figure 6 ADVR-08 with IVT-1260 / IVT-2460

**ATTENTION**

1. All AC voltage readings are average value only.
2. Use a remote 500 ohms 1 watt external VR for +/- 4% adjustment range. (keep shorted if not used)
3. Use a remote 1K ohms 1 watt external VR for +/- 8% adjustment range.
4. If your PMG is not working you can also power the AVR in shunt using terminals X1 & X2 connected to the output of the generator as long as it's less than 300 Vac.

- ※ Use only the replacement fuses specified in this user manual.
- ※ Appearance and specifications of products are subject to change for improvement without prior notice.