

Programmable Automatic Transfer Switch (ATS)

Rated Current 2P/3P/4P 250 Amp 2P 400 Amp

Features

- Integrated programmable controller with switch save space, installation time and cost
- MCCB type with available as Class CB *¹ / Class PC *² models
- Electrical and Manual operation, Lug connections to avoid crimping
- Safety lock to avoid injury to personnel during maintenance
- Color LCD display allows direct input of settings
- All phase voltage/frequency monitor & protection for Utility & Generator
- Auxiliary contacts to indicate Utility or Generator MCCB closed
- Adjustable central "OFF" position timer
- Adjustable Weekly exercise timer from 1 to 4 weeks
- Both mechanical and electrical interlock protections
- Complies with IEC60947-6-1 and AC-33A Utilization Category
- Optional communication modules for remote monitoring and control with a Smartphone
- Option of English or Traditional Chinese language display
- All fault message accompany by an audio alarm to notify the user

TAIWAN Pat. No. M553490



MCCB Rated Current and Rated Breaking Capacity (Class CB only)

No. of Poles	Rated Insulation Voltage U _i (V)	Rated Current (A) Ambient Temperature 40°C	Rated Breaking Capacity IEC 60947-2 Icu / Ics (KA)			
			220V / 240V	380V / 415V	440V	550V
2P / 3P / 4P	690	250	50 / 25	30 / 15	25 / 13	20 / 10

Specifications

Operating Voltage	Refer to Model Number Description
Rated Frequency	50 / 60 Hz
Remote Start Output	7A @ 250 Vac Max.
Auxiliary Output	3A @ 250 Vac Max.

Adjustable Timer Settings

TDNE Time Delay Normal to Emergency	0 to 250 seconds
TDES Time Delay Engine Start	0 to 15 seconds
TDEN Time Delay Emergency to Normal	0 to 999 seconds
TDEC Time Delay Engine Cool-down	0 to 250 seconds
TDOF Time Delay in OFF position	0 to 99 seconds

Model Number Description

Product	No. of poles	IEC Category	Rated Current	Safety Certification	Applicable Voltages (VAC)	Enclosure
BTB	3	B	2	X	2	C
	2P (1P/2W)	B Class CB * ¹	2 250A	U UL Certified * ⁴	1 100 / 110 / 120	Blank No enclosure
	3P (3P/3W)	P Class PC * ²	3 400A * ³	X Standard	2 200 / 220 / 240	C With indoor enclosure
	4P (3P/4W)				3 380 / 415	E With outdoor enclosure
					4 440 / 460 / 480	

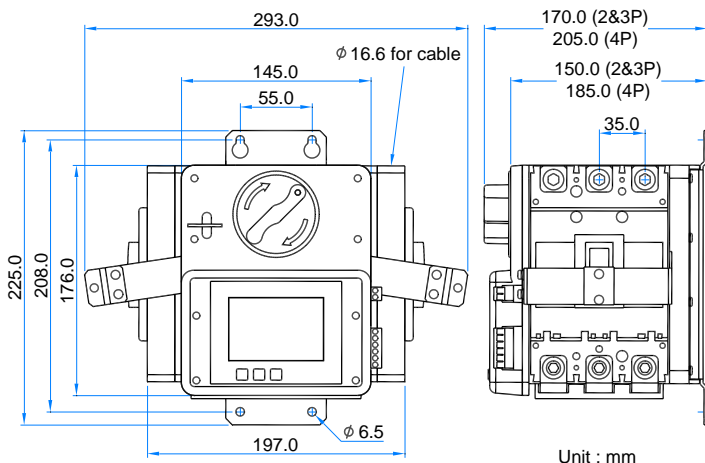
*1 Class CB: Provides over current protection. The main contacts are capable of making and breaking short circuit currents.

*2 Class PC: Able to withstand but not capable of breaking short-circuit current.

*3 Uses 4P MCCB connected as 2P for 400A load current.

*4 UL products are Class PC. UL Certification pending. (Contact mtspowerproducts.com)

Dimensions



Unit : mm

Operating Environment

Operating Temperature	-20 to +70 °C
Storage Temperature	-30 to +80 °C
Relative Humidity	Less than 90%

Physical Specifications

Dimensions	2P : 225.0 (L) x 293.0 (W) x 170.0 (H) mm
	3P : 225.0 (L) x 293.0 (W) x 170.0 (H) mm
	4P : 225.0 (L) x 293.0 (W) x 205.0 (H) mm